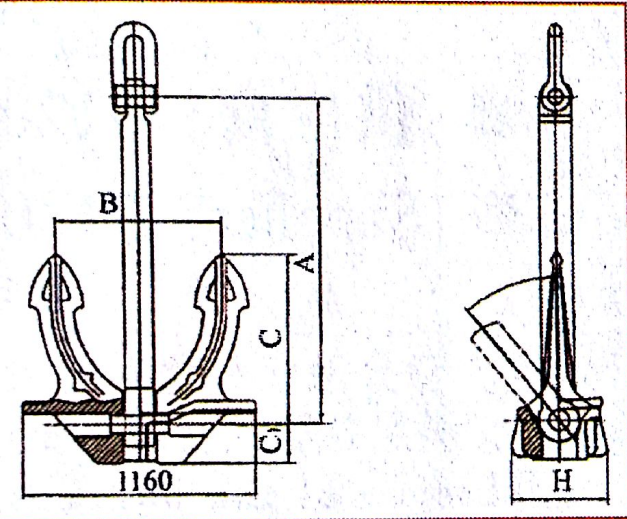


## 无杆锚 Stockless Anchor



Unit:mm

A	450 ~ 4946
B	284 ~ 2490
C	270 ~ 2610
C <sub>1</sub>	65 ~ 600
L	400 ~ 3530
H	172 ~ 1520
重量Weight(kg)	50 ~ 29000

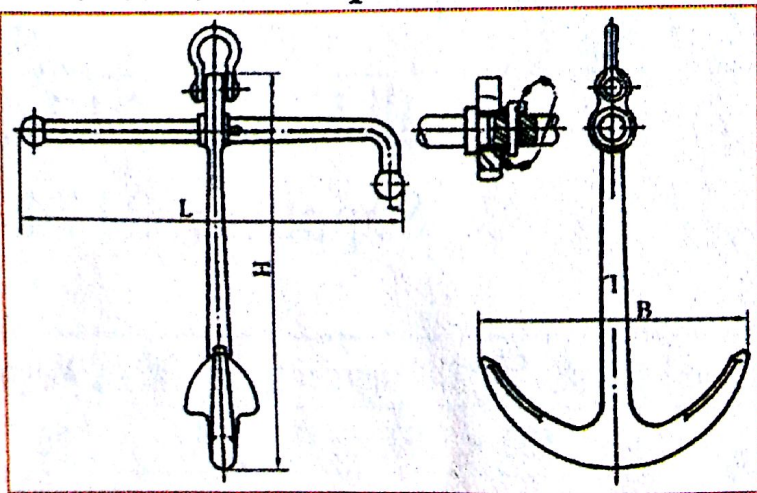
↓ Notes: Certificate ABS, BV, CCS, DNV, GL, KR, LR, NK, RINA.

Code: 112052

☼ 供应商: 2112

☼ Supplier: 2112

## 日本有杆锚 Japan Stock Anchor



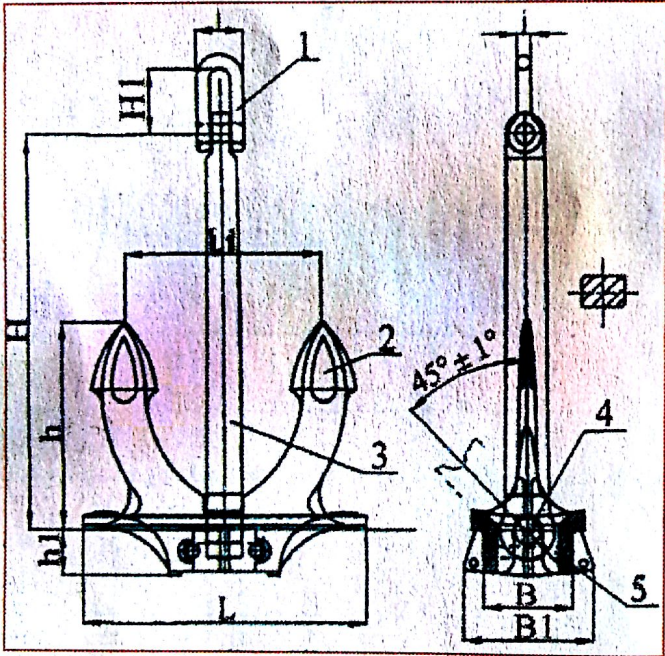
Unit: mm

H	2000 ~ 3322
L	2101 ~ 4019
B	1350 ~ 2650
重量Weight(kg)	150 ~ 4500

↓ Notes: Certificate ABS, BV, CCS, DNV, GL, KR, LR, NK, RINA.

# 霍尔锚 HALL Anchor

Unit: mm



H	A	760 ~ 4056
	B	760 ~ 4056
	C	590 ~ 3318
h		410 ~ 2199
hl		90 ~ 438
L		584 ~ 3126
LI		410 ~ 2199
BI		270 ~ 1446
重量Weight (kg)		100 ~ 15400

⚓ Notes: Certificate ABS, BV, DNV, GL, KR, NK.

👉 Code: 112077

# 霍尔锚 HALL Anchor

⚓ 供应商: 2284

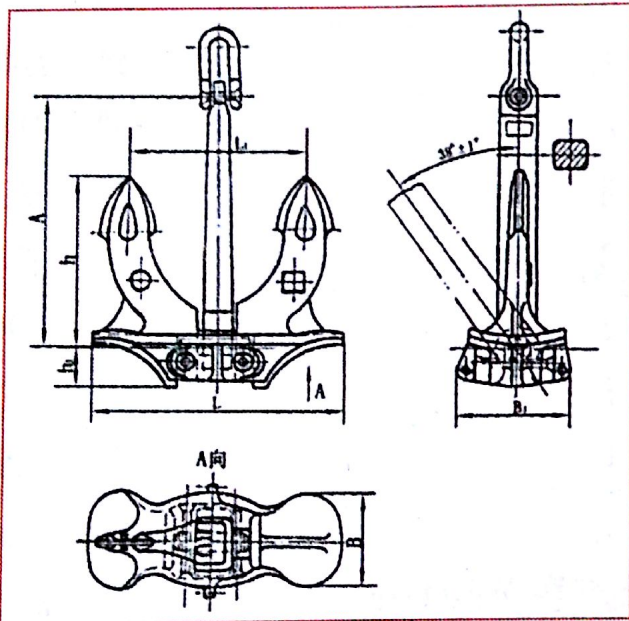
⚓ Supplier: 2284

Unit: mm

H	Type A	557 ~ 3882
	Type B	557 ~ 2965
	Type C	430 ~ 3176
h		303 ~ 2104

# A/B/C型霍尔锚 Type A/ B/C HALL Anchor

Unit: mm



A	Type A	656 ~ 4825
	Type B	594 ~ 4435
	Type C	467 ~ 3450
L		466 ~ 3420
L <sub>1</sub>		326 ~ 2405
h <sub>1</sub>		72 ~ 530
B		192 ~ 1330
B <sub>1</sub>		214 ~ 1578
重量Weight(kg)		50 ~ 20000

↓ Notes: Certificate ABS, BV, CCS, DNV, GL, KR, LR, NK, RINA.

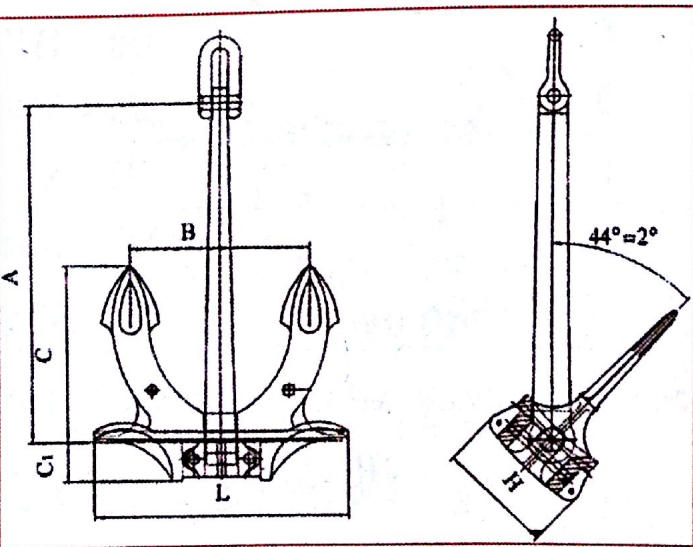
**Code: I12079**

☼ 供应商: 2051

☼ Supplier: 2051

# 霍尔锚HALL Anchor

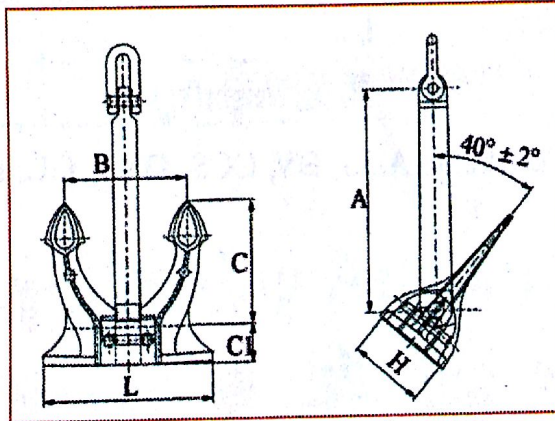
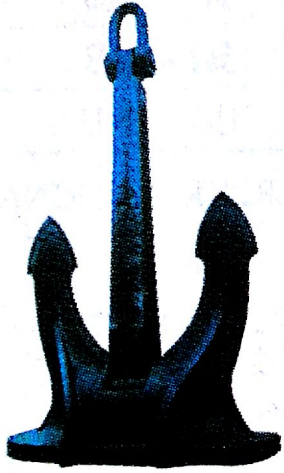
Unit: mm



A	Type A	557 ~ 4420
	Type B	557 ~ 2965
	Type C	430 ~ 3617
B		303 ~ 2399
C		303 ~ 2399
C <sub>1</sub>		67 ~ 526
L		430 ~ 3411
H		198 ~ 1578
重量Weight(kg)		40 ~ 20000

↓ Notes: Certificate ABS, BV, CCS, DNV, GL, KR, LR, NK, RINA.

# 斯贝克锚 SPEK Anchor



↓ Notes: Certificate ABS, BV, CCS, DNV, GL, LR, NK.

Unit: mm

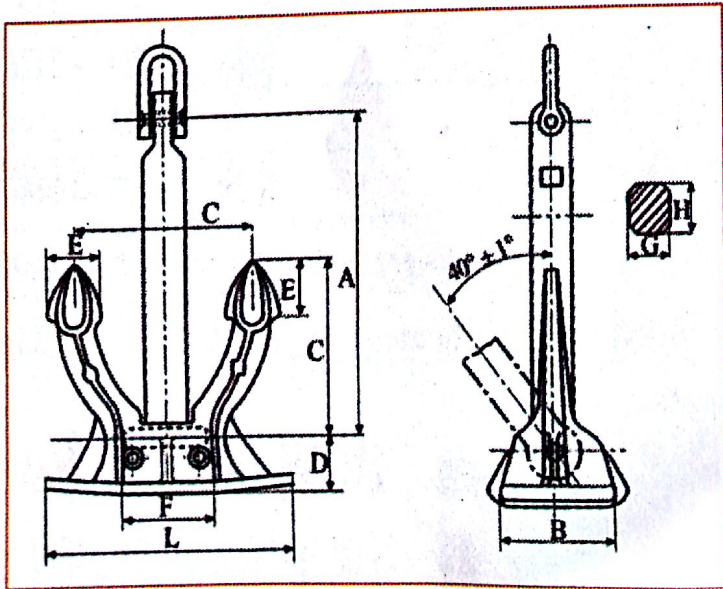
A	638 ~ 4070
B	355 ~ 2190
C	355 ~ 2190
CI	106 ~ 657
L	489 ~ 3028
H	213 ~ 1314
重量 Weight (kg)	75 ~ 20000

Code: 112071

☼ 供应商: 2284,2187

☼ Supplier: 2284,2187

# 斯贝克锚 SPEK Anchor



Unit: mm

A	672 ~ 4070
C	373 ~ 2190
D	112 ~ 657
L	515 ~ 3018
E	120 ~ 692
B	250 ~ 1493
F	164 ~ 968
G	70 ~ 416
H	85 ~ 503
重量 Weight (kg)	100 ~ 20000