

Code:112043

☼ 供应商：3120

☼ Supplier: 3120

滚轮掣链器 Roller Chain Stoppers

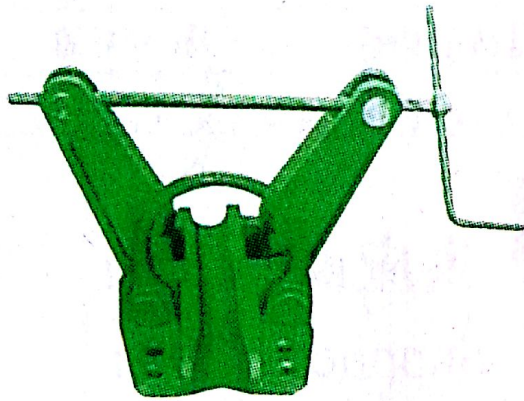
滚轮掣链器主要是按船厂或船东的需要订做的，它分液压和全手动两种型式，主要适用链径为55-160mm，可选配快速释放器，满足各船级社规范要求。

The Roller Chain Stopper is supplied in the absence of the builder's own Standard Version, or when a vessel's owner requests that the winch maker supplies one. Two versions are available: hydraulically supported or fully manual.

The Roller Chain Stopper is suitable for chain sizes of between 55mm and 160mm, with an optional quick-release device. It is designed to meet the requirements of all classification societies.

⚓ Notes: Certificate ABS, BV, CCS, DNV, LR.

螺旋掣链器 Spiral Chain Stoppers



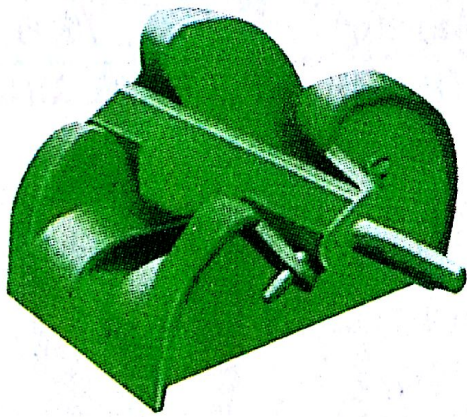
链径Chain Dia.(mm)	外形尺寸Dimension(mm)	重量Weight(kg)
22-26	500 × 280 × 335	90
28-32	550 × 310 × 400	122
34-38	600 × 360 × 455	163
40-44	670 × 420 × 515	238
46-48	770 × 480 × 585	353
52-58	970 × 550 × 680	518
60-66	1000 × 640 × 775	772

Code: 112045

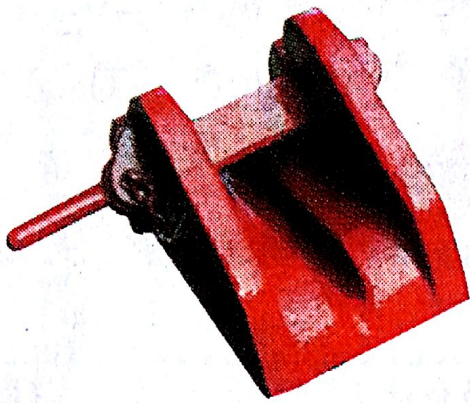
☼ 供应商: 2174

☼ Supplier: 2174

闸刀掣链器 Slide-switch Chain Stoppers



链径Chain Dia.(mm)	外形尺寸Dimension(mm)	重量Weight(kg)
12.5 ~ 14	235 × 142 × 162	20
16 ~ 17.5	270 × 170 × 190	25
19 ~ 20.5	310 × 193 × 216	30
22 ~ 24	345 × 219 × 241	37
26 ~ 28	385 × 241 × 270	46
30 ~ 32	435 × 274 × 305	56
34 ~ 36	490 × 304 × 342	69
38 ~ 40	540 × 336 × 378	85
42 ~ 44	590 × 366 × 412	108
46 ~ 48	640 × 397 × 450	139
50 ~ 52	695 × 428 × 491	173
54 ~ 56	745 × 457 × 528	210
58 ~ 60	795 × 488 × 564	255
62 ~ 64	850 × 517 × 600	305
66 ~ 68	900 × 547 × 635	363



Code: I12036

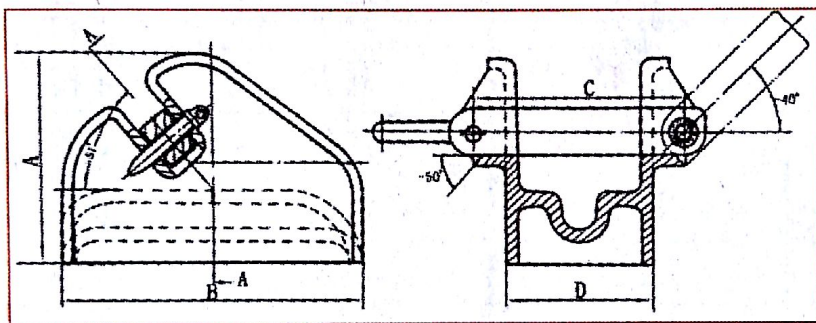
☼ 供应商: 2112

☼ Supplier: 2112

船用小型掣链器

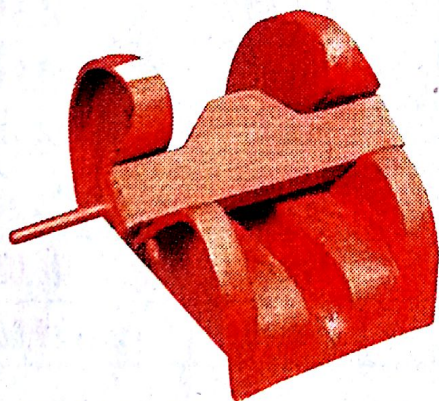
Marine Small Size Cast Steel Bar Type Anchor Chain Stoppers

Unit: mm



链径Chain Dia.	17 ~ 36
A	190 ~ 342
B	270 ~ 490
C	200 ~ 154
D	134 ~ 246
重量Weight(Kg)	17 ~ 92

⚓ Notes: Certificate ABS, BV, CCS, DNV, GL, KR, LR, NK, RINA.



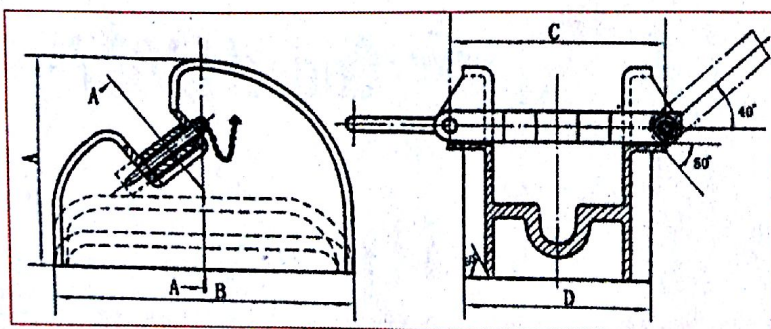
Code: I12037

☼ 供应商: 2112

☼ Supplier: 2112

铸钢锁杆型掣链器 Cast Steel Bar Type Chain Stoppers

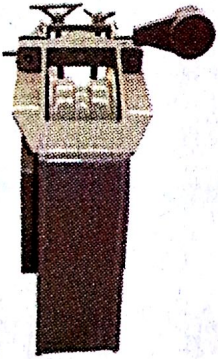
Unit: mm



链径Chain Dia.	38 ~ 78
A	378 ~ 715
B	540 ~ 1020
C	390 ~ 720
D	336 ~ 617
重量Weight(kg)	111 ~ 682

⚓ Notes: Ccertificate ABS, BV, CCS, DNV, GL, KR, LR, NK, RINA.

掣链器 Chain Stoppers



- Roller type
- Designed to withstand 80% of the chain breaking force
- With lashing arrangement.
- Manually operated.
- Chain dia. 16-160 mm

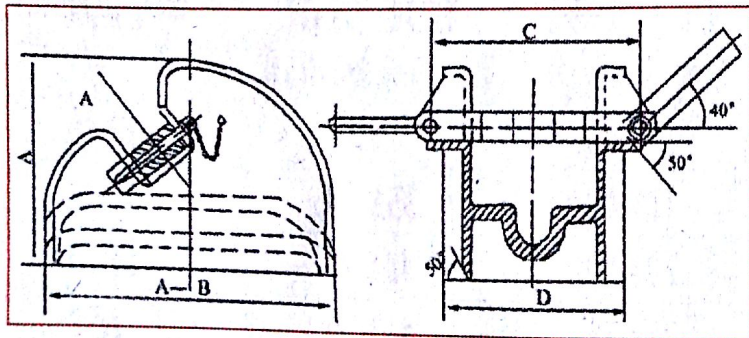
 Code: 112031

 供应商: 2187

 Supplier: 2187

铸钢锁杆型掣链器 Cast Steel Bar Type Chain Stoppers

Unit:mm



链径Chain Dia.	38 ~ 78
A	378 ~ 715
B	540 ~ 1020
C	390 ~ 720
D	336 ~ 617
重量Weight (kg)	111 ~ 682

⚓ Notes: Certificate ABS, BV, DNV, GL, KR, NK.